



FORTIS 6 / BDC (OPTIONAL ACCESSORY)

INSTRUCTION MANUAL

FOREWORD

Dear customer,
we wish you a great deal of enjoyment and every success with your new Leica rifle scope.
Please read this manual to familiarize yourself with the full scope of functions your rifle scope has to offer.
Please use this product only as described in this manual. Only then can safe and easy operation be guaranteed.

Please read the chapters “Legal information”, “Warning”, and “Important Information” before using the product for the first time. Knowledge of the content will prevent inadvertent damage to the product, possible injuries and other risks.

LEGAL INFORMATION

REGULATORY INFORMATION

You will find the manufacturing date of your product on the stickers on the packaging. The date format is year/month/day.



DISPOSAL OF ELECTRICAL AND ELECTRONIC EQUIPMENT

(Applies within the EU and for other European countries with segregated waste collection systems)

This device contains electrical and/or electronic components and must therefore not be disposed of in general household waste! Instead, bring this device to a local disposal collection point. This service is free of charge. Any standard or rechargeable batteries used in this device must be removed and disposed of separately in accordance with local regulations (please read the device manual for details). Please contact your local authorities, waste disposal collection point or the retailer, from whom you purchased the device for more information on correct waste disposal.

WARNING NOTES

- Make sure that the weapon is not loaded before working on the rifle scope.
 - The rifle scope should be mounted with the eye relief distance provided to prevent injury to the brow from the recoil of the eyepiece (see technical information for measurements).
 - Make sure that the weapon is not loaded before changing the battery.
 - Only the battery type stated in this manual must be used. Any improper use of this battery or the use of unapproved battery types may result in an explosion!
 - Do not expose the battery to sunlight, heat, humidity or moisture for prolonged periods of time. It must not be placed in a microwave oven or a high-pressure container as this would pose a fire or explosion hazard!
 - Never dispose of batteries in fire and never attempt to heat, recharge, dismantle or break open a battery.
- Batteries must always be stored out of the reach of children. Do not leave batteries lying around, as they could be swallowed by children or pets.

IMPORTANT INFORMATION

- Protect the rifle scope against any kind of shocks that are not caused by the weapon.
- Damaged sealing rings must be replaced.
- Do not attempt to take the device apart yourself. Repairs must only be carried out in authorized workshops.
- Make a note of the serial number of your rifle scope, as this information will be extremely important in case of loss.
- Depleted batteries must never be disposed of in household waste as they contain toxic materials that are harmful to the environment. Battery collection points are provided at most large retail outlets; alternatively, you can dispose of old batteries at a local special waste collection point to ensure correct recycling.
- Remove the battery from the housing if you will not be using the product for an extended period of time.
- Do not use excessive force when making adjustments via the setting turrets.

WARRANTY

With this Leica rifle scope, you have acquired a world-renowned brand product. In addition to your statutory warranty rights with regards to the seller, Leica Camera AG offers a 10-year warranty for the optics and housing of this Leica rifle scope, as well as a 2-year warranty for the electronics as stated in the conditions below. The Leica warranty does not impact on any statutory consumer rights in accordance with relevant national law or any consumer rights vis-a-vis the retailer arising from the purchase contract concluded between them.

WARRANTY CONDITIONS

By purchasing this Leica accessory, you have acquired a product that is manufactured in compliance with special quality standards, and which was thoroughly tested at each individual production step by experienced specialists. Our ten-year warranty for this product commences on the date of sale by an authorized retailer under the following conditions:

1. In case of a complaint due to a manufacturing fault, we will assume all material costs during the warranty period. We will additionally cover all required labor costs during the first five years. We shall decide at our own discretion to repair the faulty product, to replace faulty parts or to replace the entire product with a faultless product of the same type. All other claims of any kind and on whatever legal basis shall not be accepted in connection with this warranty.
2. Wear parts like eyecups, leather details, armoring, carry straps and accessories are exempt from the warranty. The same applies for surface damage.
3. Any warranty claims become void if the defect in question is a result of improper handling – which also includes the use of third-party accessories – or if the product was

manipulated by unauthorized persons or workshops or if the serial number of the product was rendered illegible.

4. Warranty claims can be submitted only in conjunction with the original proof of purchase – complete with the date of purchase, as well as the address and signature of an authorized retailer.
5. In case of a warranty claim, please send the Leica rifle scope, the original proof of purchase and a description of the fault to Leica Camera AG Customer Care or a Leica regional subsidiary.

PICK-UP SERVICE FOR REPAIR SUBMISSIONS

(Applies for EU only)

Dear customer,
we will organize the shipping of your device to our Customer Care department if you should notice a problem in your device during the warranty period. Please contact our service hotline to make the necessary arrangements (+49 (0)6441 2080 189). Our pick-up service will collect your Leica product at the agreed time from your premises free of charge and transport it to our Customer Care location for evaluation.

Contact:

en.leica-camera.com/Contact

TABLE OF CONTENT

FOREWORD	2	SETTING THE LUMINOUS RETICLE	19
LEGAL INFORMATION	3	TECHNICAL DATA.....	20
WARNING NOTES.....	4	FAST RETICLE ADJUSTMENT BDC	22
IMPORTANT INFORMATION	5	SCOPE OF DELIVERY	22
WARRANTY.....	6	PART DESIGNATIONS	23
TABLE OF CONTENT	8	DELIVERY CONDITION	24
LEICA FORTIS 6.....	10	LOCKING AND RELEASING	24
SCOPE OF DELIVERY	10	ADJUSTING THE POINT OF IMPACT	25
SPARE PARTS/ACCESSORIES.....	11	ZEROING THE SCALE.....	26
PART DESIGNATIONS	12	LEICA BALLISTIC CALCULATOR	27
INSERTING/CHANGING THE BATTERY	14	DIRECT DIAL RING.....	28
MOUNTING.....	14	CARE/CLEANING	30
DIOPTER SETTINGS	15	LEICA HUNTING APP	30
ADJUSTING THE POINT OF IMPACT	16	LEICA CUSTOMER CARE.....	31
ZEROING THE TURRET SCALES	17	BALLISTICS TABLES.....	32
CHANGING THE ZOOM LEVEL.....	18		
PARALLAX COMPENSATION.....	18		

Definition of the various categories of information found in this manual**Note**

Additional Information

Important

Non-compliance may result in damage to the device and accessories

Attention

Non-compliance may result in personal injury

Warning

Non-compliance may result in serious injury or death

LEICA FORTIS 6

The rifle scope comes equipped with excellent optics. These optics deliver a clear, bright image even in difficult conditions or less than optimal lighting for a reliable reticule and a relevantly accurate and professional shot. The shooter can rely on this additional accuracy for narrow clearances or in difficult terrain. Its particularly rugged product design makes the Leica rifle scope a reliable companion for all types of hunting.

The rifle scopes with a 42 mm lens diameter or higher are optionally available with rapid reticle adjustment (Leica BDC). Leica BDC is the perfect solution to allow the intuitive aim you are used to, while compensating for any relevant point of impact compensation (see p. 22 for functional scope and operation).

SCOPE OF DELIVERY

The actual scope of delivery may vary depending on model (with/without BDC unit). The standard scope of delivery contains the following:

- Rifle scope
- Protective caps
- 1 lithium coin battery (CR 2032)
- Test certificate
- Safety information

SPARE PARTS/ACCESSORIES

Contact Leica Customer Care or your specialist Leica retailer for details on the latest spare parts/accessory range:

en.leica-camera.com/Contact

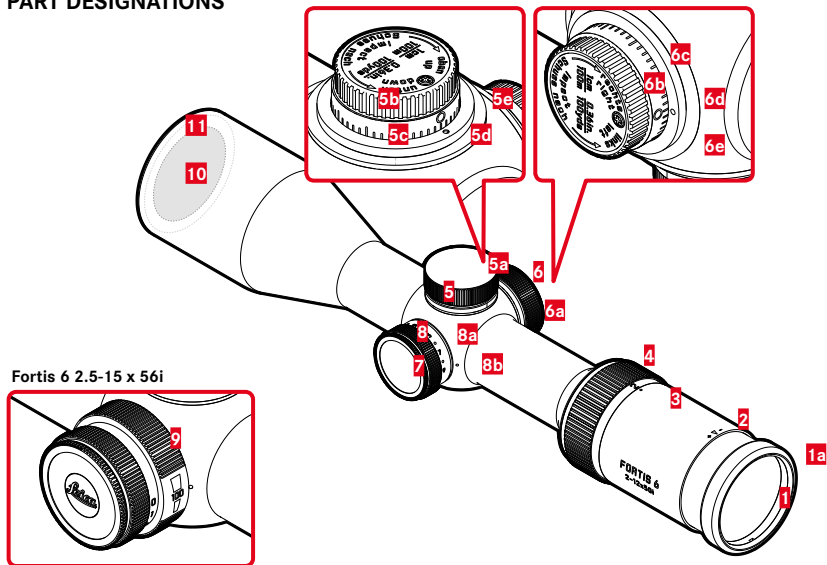
Attention

Never look directly at the sun or other bright sources of light through your Leica optics! Doing so may seriously damage your eyes!

Warning

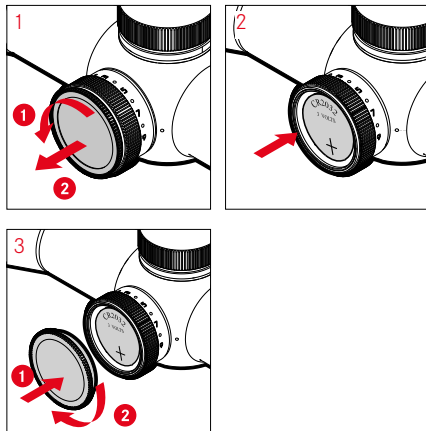
Make sure the weapon is not loaded before doing any work or changing settings on the rifle scope and before changing batteries.

PART DESIGNATIONS



- 1** Eyepiece
 - a** Eyecups (rotating)
- 2** Index for diopter setting
- 3** Index for magnification setting
- 4** Magnification adjustment ring
- 5** Elevation adjustment turret
 - a** Protective cap
 - b** Knurled wheel (with protective cap removed)
 - c** Scale
 - d** Index
 - e** Sealing ring
- 6** Lateral adjustment turret
 - a** Protective cap
 - b** Knurled wheel (with protective cap removed)
 - c** Scale
 - d** Index
 - e** Sealing ring
- 7** Battery compartment cover
- 8** Illumination adjustment ring
 - a** Scale
 - b** Index
- 9** Parallax compensation adjustment ring
- 10** Lens
- 11** Filter thread

INSERTING/CHANGING THE BATTERY



MOUNTING

The first prerequisite for a robust point of impact is the correct mounting of the rifle scope on the weapon. A wide selection of mounting parts are available from specialist retailers. We recommend using only high-quality parts from renowned manufacturers that match the quality characteristics of your Leica rifle scope.

You can mount the device yourself, but you will have to ensure a perfectly aligned and tension-free structure. Leica strongly recommends contracting a specialist workshop.

Important

We recommend gluing the lower mounting ring to prevent any travel of the rifle scope within the ring mount.

DIOPTER SETTINGS

The viewfinder has a diopter setting function with a range between +3 and -4 diopter to allow glasses wearers the use of the Leica rifle scope without eyeglasses (diopter compensation).

- ▶ Aiming at a distant object
- ▶ Turn the eyecup **1a** until the object is perfectly in focus

ADJUSTING THE POINT OF IMPACT

A calibration of the reticle to the weapon will be required in case of an offset of the point of impact. The procedure is the same on both setting turrets (elevation: **5**, page: **6**).

- ▶ Unscrew the protective cap **5a/6a** in counter-clockwise direction
 - The knurled wheel, the associated scale and the index point appear.
 - The knurled wheels have a very fine detent: one click is equal to 1 cm at 100 m.
- Point of impact too high
(downward correction required)
 - ▶ Turn the knurled wheel **5b** in anti-clockwise direction
- Point of impact too low
(upward correction required)
 - ▶ Turn the knurled wheel **5b** in clockwise direction
- Point of impact too far right
(correction to the left required)
 - ▶ Turn the knurled wheel **6b** in anti-clockwise direction
- Point of impact too far left
(correction to the right required)
 - ▶ Turn the knurled wheel **6b** in clockwise direction

ZEROING THE TURRET SCALES

The procedure is the same on both setting turrets (elevation: **5**, page: **6**).

- ▶ Adjusting the point of impact (see p. 16)
- ▶ Use a Philips screwdriver (size PH 00) to loosen the screw on the knurled wheel **5b/6b**
- ▶ Hold the knurled wheel **5b/6b** in the relevant position, while at the same time turning the scale **5c/6c** until the zero is directly opposite the index point
- ▶ Re-tighten the screw on the knurled wheel **5b/6b** to secure the setting

Note

Once you have done your adjustments on both scale rings, you can get back to the basic setting for the firing distance after any change to the point of impact by simply going back to the **0** positions, without having to remember or note down anything.

Important

Do not use excessive force when tightening the screw on the setting turrets to prevent damage.

CHANGING THE ZOOM LEVEL

- ▶ Turn the magnification adjustment ring **4**
 - higher magnification = to the left
 - lower magnification = to the right

PARALLAX COMPENSATION

Leica rifle scopes with a maximum magnification of 12x are adjusted parallax-free up to a range of 100 m, so that you can see the reticle and the target at the chosen distance in perfect focus concurrently. Any deviations in the point of impact with the eye not perfectly centered are generally negligible.

With larger magnifications, however, these deviations must be taken into consideration. That is why rifle scopes with magnification ranges above 12x have parallax compensation.

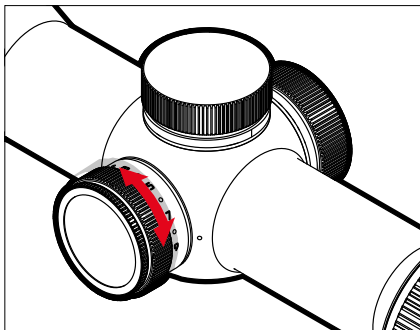
- ▶ Turn the adjustment ring **9** until the image of the target appears in perfect focus
 - We recommend using the highest magnification for the most accurate settings.
 - An optimum adjustment is achieved when reticle and image no longer move relative to one another when you change the position of your eye over the eyepiece.

SETTING THE LUMINOUS RETICLE

Reticle illumination is switched On or Off via the adjustment ring **8**.

The brightness of the illuminated dot can be controlled in multiple increments.

- ▶ Turn the setting wheel **8**
 - Level **0**: Off
 - Level **1-5**: At night/twilight
 - Level **6-9**: In daylight



TECHNICAL DATA

	Fortis 6 1–6 x 24i	Fortis 6 2–12 x 50i	Fortis 6 2.5–15 x 56i
Lens diameter	24 mm	50 mm	56 mm
Magnification	1 to 6x	2 to 12x	2.5 to 15x
Zoom ratio	6		
Illuminated dot size	1.5 cm/100 m		
Number of brightness levels	9		
Eye relief	>90 mm		
Light transmission	approx. 92%		
Reticle image plane	Second image level		
Available reticles	L-4a		
Lens coating	Aqua Dura®		
Diopter compensation	+3/-4 dpt		
Parallax-free	100 m		50 m to infinity
Center tube diameter	30 mm		
Length	272 mm	335 mm	360 mm
Weight (without/with rail)	540/570 g	700/725 g	780/815 g

	Fortis 6 1-6 x 24i	Fortis 6 2-12 x 50i	Fortis 6 2.5-15 x 56i
Mounting rail	Z inner rail		
Max. adjustment track elevation/lateral (cm/100 m)	200 x 140 cm	230 x 230 cm	200 x 200 cm
Impact point correction/click (cm/100 m)	1 cm		
Filter thread on lens side	M28 x 0.75 mm	M52 x 0.75 mm	M58 x 0.75 mm
Impermeability (nitrogen-filled)	4 m water depth		
Reticle lighting	Point		
Automatic switch-off	3 min, 75° down, 60° up, 40° side-to-side		
Automatic switch-on	Activation by position and/or motion		
Power supply	CR2032 - lithium coin battery, nominal voltage 3 V, capacity: 230 mAh		

Subject to changes in design and model features.

FAST RETICLE ADJUSTMENT BDC (optional accessory)

The Leica fast reticle adjustment BDC (Bullet Drop Compensator) is an optional accessory you can add to your Leica rifle scope.

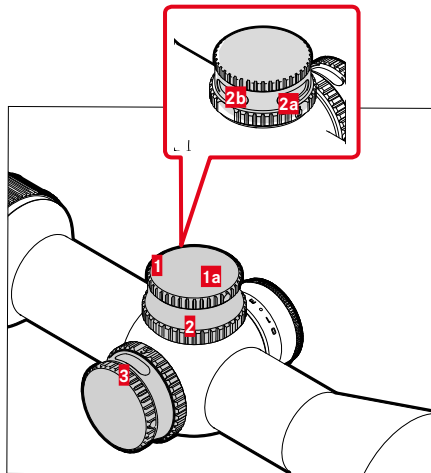
SCOPE OF DELIVERY

- Fast reticle adjustment BDC (BDC unit)
- Hex key SW 2 mm

Note

Possible deviations from the product image depicted do not influence the basic functions and handling of the product.

PART DESIGNATIONS





- 1** Upper knurled wheel
- a** Hex screws for attachment
- 2** Lower knurled wheel
- a** Locking status indicator
- b** Inspection window
- 3** Scale ring (with engraving)

DELIVERY CONDITION

Upon delivery, the reticle of the Leica rifle scope is set to the mechanical midpoint of the total adjustment track. The scale ring **3** (index for the magnification setting) is set to the value **5**. This setting guarantees a maximum adjustment track (approx. 50 cm/100 m) in both directions when zeroing the rifle scope while it is attached to the weapon.

LOCKING AND RELEASING

The BDC unit comes with a locking to prevent accidental adjustment changes.

- ▶ Turn the lower knurled wheel **2** by 90° in anti clockwise direction until the relevant icon  /  appears.

Note

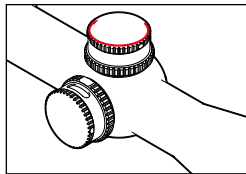
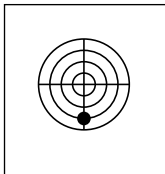
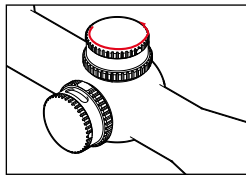
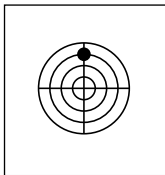
The lower knurled wheel **2** can be turned slightly beyond the detent positions to ensure engagement.

ZEROING

- ▶ Mounting the rifle scope (see 24)
 - Ensure the best possible parallelism of the rifle scope and weapon, so that the adjustment range for zeroing compensation is minimal.

ADJUSTING THE POINT OF IMPACT

- ▶ Align the weapon so that the center of the target is visible centrally when looking through the barrel
 - The system lock must be removed.
- ▶ Unlock the BDC by turning the lower knurled wheel **2**
 - The pictograph of the open padlock is pointing towards the eyepiece.
- ▶ Look through the attached rifle scope and correct the offset of the target marker to the center of the target by turning the elevation and/or lateral adjustment
 - Do not change the position of the weapon while doing so.
- ▶ Check again, whether the target marker and the center of the barrel are aligned and can be seen congruently on the target



Note

Depending on the mounting type, there may be a limited adjustment track available in use after zeroing. You can use a relevantly tilted downward mounting if the total adjustment track is too short.

We recommend use of a mounting tilted forward by around 10 MOA. This mounting gives you an additional approx. 29 cm per 100 m adjustment track.

ZEROING THE SCALE

- ▶ Make sure that the rifle scope and weapon are zeroed in
- ▶ Lock the BDC by turning the lower knurled wheel **2**
- ▶ Loosen the hex screw **1a**
- ▶ Lift the upper knurled wheel **1** complete with the scale ring **3** until it uncouples
- ▶ Set the upper knurled wheel **1** including the scale ring **3** to the zero position until the zero mark appears in the inspection window **2b**
- ▶ Press the upper knurled wheel **1** fully down and hold it
- ▶ Tighten the hex screw **1a**

Note

The zero position of the scale on the BDC unit should always correspond to your minimum zero distance, since no allowance has been made for a negative BDC adjustment track.

LEICA BALLISTIC CALCULATOR

We recommend using the Leica Ballistic Calculator to take full advantage of the reticle quick adjustment. Taking into account relevant parameters like firing distance, line of sight elevation, temperature and elevation, the Leica Ballistic Calculator can calculate the trajectory for virtually any ammunition.

The Ballistic Calculator can be found here:
ballistictool.leica-camera.com

LEICA BALLISTIK RECHNER

NEUE KONFIGURATION ERSTELLEN

Patrone Datenbank Neukalibrierung

DATENBANK-KONFIGURATION

Bitte von angebotener ballistischer Datenbank mehr Lieferanten auswählen, haben Sie die Möglichkeit Ihre Daten individuell zu erzeugen.

Kaliber **Achtung:** Überprüfen Sie die tatsächliche Mündungsgeschwindigkeit oder den tatsächlichen Geschwindigkeitsverlust über eine LeicaScope-Kamera, wenn Sie assistierte Funktionen für die entsprechenden Schussentfernungen erklären.

Konstante

Windstrome

Warteschlange

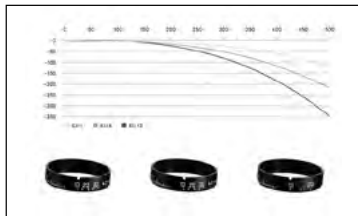
Warteschlange

Projektilhöhe

Der einzigste Dezimaltrenner (Punkt oder Komma) hängt von Ihrem Internet-Browser und Land ab. Meistens wird der Punkt (.) als Dezimaltrenner akzeptiert. Die korrekte Eingabe wird durch einen kleinen Rahmen des Eingabefeldes angezeigt. Andernfalls wird ein rotes Rahmen angezeigt.

DIRECT DIAL RING

The Leica BDC works even more intuitively and faster with direct dial ring. Simply replace the scale ring with a ring with range information and use it to directly set the firing distance in future. Choose the right ring for your caliber and charge from 12 different rings. The change in trajectory for angled shots is included in the calculation when using the Leica Rangemaster and Leica Geovid. You will only have to transfer the so-called EHR (Equivalent Horizontal Range).



SELECTING A MATCHING RING

- ▶ Use the ballistics table provided in the Appendix to compare the bullet drop of your weapon at a large distance (e.g. 300 m) with the values in the table at an identical distance (also 300 m here)
- ▶ Select the ring with the curve in which the bullet drop value deviates the least from the bullet drop of your ammunition
 - The rings are relevantly labeled, e.g. **EU 5**.

Note

You can alternatively determine the relevant BDC adjustment values via the online Leica Ballistics Calculator:

ballistictool.leica-camera.com

MOUNTING DIRECT DIAL RINGS

- ▶ Set the BDC unit to **0** and lock it
- ▶ Loosen the two hex screws **1a**
- ▶ Remove the upper knurled wheel **1** complete with the scale ring
- ▶ Slide the scale ring off the top knurled wheel
- ▶ Attach the selected ring onto the top knurled wheel **1**
 - The ring has a small recess and fits completely on the top knurled wheel only in one position.
- ▶ Replace the top knurled wheel on the BDC unit of the rifle scope, so that the **10** (= 100 m) sits on the original zero position
 - If the firing distance is, for example, not 100 m, but 300 m, then place the ring on the position **30** as its zero position.
- ▶ Tighten the two hex screws **1a**
- ▶ Unlock the BDC unit
- ▶ Set your rifle scope to firing distance (e.g. **25** = 250 m)

Attention

Check the actual muzzle velocity or the actual bullet drop of your weapon/ammunition combination to achieve optimal precision for the relevant firing distances.

CARE/CLEANING

- Your Leica rifle scope requires no special care. Coarse dirt particles like sand should be removed with a soft brush or simply blown off. Fingerprints, etc. on objective lenses and eyepiece lenses can be pre-cleaned with a damp cloth, and then wiped dry with a clean leather or lint-free cloth.
- The rifle scope should be stored in a well-ventilated, dry and cool place to prevent fungal growth (particularly important in humid climates).
- Do not use alcohol or chemical cleaning solutions on the optics or housing.
- Do not use excessive force when cleaning a severely soiled lens surface. The coating is abrasion resistant, but not impervious to sand or salt crystals.
- The housing should be cleaned using a damp leather cloth only. Using a dry cloth may cause friction, which may result in a static discharge.

LEICA HUNTING APP

You can create and store your personal ballistics profiles with the Leica Hunting app. You will have to install the Leica Hunting app on a mobile device.

- ▶ Scan the following QR code with the mobile device

for iOS:



for Android:



or

- ▶ The app is available from Apple App Store™/Google Play Store™

LEICA CUSTOMER CARE

Please contact Leica Camera AG Customer Care for the maintenance of your Leica equipment and for help and advice regarding Leica products and how to order them. You can also contact Customer Care or the repair service of your regional Leica subsidiary directly for repairs or warranty claims.

Leica Camera AG

Leica Customer Care
Am Leitz-Park 5
35578 Wetzlar
Germany

Phone: +49 (0)6441 2080-189

Fax: +49 (0)6441 2080-339

Email: customer.care@leica-camera.com
www.leica-camera.com

BALLISTICS TABLES

TABELLE 1: FLECKSCHUSS-ENTFERNUNG 100 M / TABLE 1: ZEROING RANGE 100 M / TABLEAU 1: DISTANCE DU TIR DANS LE MILLE 100 M /
 TABEL 1: VLEKŠCHOTAFSTAND 100 M / TABELLA 1: DISTANZA DI AZZERAMENTO 100 M / TABLA 1: DISTANCIA DE TIRO IDEAL 100 M /
 TABELL 1: INNSKYTNINGSAVSTAND 100 M / TABELL 1: SIKTAVSTÅND 100 M

	GESCHOSSABFALL / HOLDOVER CORRECTION / CHUTE DE LA BALLE / KOGELVAL / CORREZIONE BALISTICA / CORRECCIÓN DEL PUNTO DE REFERENCIA / KORREKSJON HOLDEPUNKT / KULFALL												
	EU 1	EU 2	EU 3	EU 4	EU 5	EU 6	EU 7	EU 8	EU 9	EU 10	EU 11	EU 12	
0	-5,0	-5,0	-5,0	-5,0	-5,0	-5,0	-5,0	-5,0	-5,0	-5,0	-5,0	-5,0	-5,0
25	-3,0	-2,9	-2,7	-2,5	-2,4	-2,3	-2,2	-2,0	-1,9	-1,7	-1,7	-1,6	-1,6
50	-1,4	-1,3	-1,0	-0,8	-0,7	-0,6	-0,3	-0,1	0,0	0,3	0,3	0,3	0,3
75	-0,4	-0,3	-0,1	0,0	0,1	0,2	0,4	0,6	0,7	0,9	0,9	0,9	0,9
100	0,0	0,0	0,0	0,0	0,0	0,0	0,0	0,0	0,0	0,0	0,0	0,0	0,0
125	-0,2	-0,3	-0,7	-1,0	-1,1	-1,4	-1,6	-1,9	-2,0	-2,3	-2,3	-2,5	-2,5
150	-1,0	-1,4	-2,2	-2,9	-3,2	-3,9	-4,6	-5,1	-5,5	-6,2	-6,3	-6,9	-6,9
175	-2,5	-3,3	-4,7	-5,8	-6,5	-7,7	-8,9	-9,8	-10,4	-11,6	-12,2	-13,2	-13,2
200	-4,7	-6,1	-8,1	-9,7	-11,0	-12,9	-14,5	-15,9	-17,0	-18,9	-20,1	-21,7	-21,7
225	-7,8	-9,8	-12,4	-14,8	-16,8	-19,4	-21,6	-23,5	-25,4	-28,1	-30,0	-32,3	-32,3
250	-11,7	-14,5	-17,9	-21,1	-24,0	-27,3	-30,1	-33,0	-35,8	-39,3	-42,2	-45,3	-45,3
275	-16,5	-20,3	-24,5	-28,6	-32,6	-36,6	-40,5	-44,4	-48,3	-52,6	-56,5	-60,6	-60,6
300	-22,2	-27,3	-32,4	-37,5	-42,6	-47,7	-52,8	-57,9	-63,0	-68,1	-73,2	-78,3	-78,3
325	-28,9	-35,7	-41,5	-47,7	-54,5	-60,9	-67,1	-73,5	-79,9	-85,8	-92,3	-98,8	-98,8
350	-36,9	-45,4	-52,0	-59,2	-68,4	-76,1	-83,6	-91,3	-99,0	-105,7	-113,8	-122,8	-122,8
375	-46,2	-56,5	-63,9	-72,2	-84,5	-93,4	-102,2	-111,4	-120,6	-127,9	-138,4	-150,3	-150,3
400	-56,7	-69,5	-77,2	-86,5	-102,8	-113,0	-123,2	-133,8	-144,5	-152,6	-166,4	-181,3	-181,3
425	-68,7	-84,6	-92,0	-102,4	-123,3	-134,9	-146,4	-158,6	-171,3	-179,5	-197,8	-215,9	-215,9
450	-81,9	-101,9	-108,8	-120,4	-146,1	-159,0	-171,9	-185,8	-201,6	-209,1	-232,9	-254,6	-254,6
475	-97,0	-121,5	-127,8	-140,4	-171,3	-185,6	-199,9	-216,1	-235,4	-241,5	-271,4	-297,9	-297,9
500	-114,2	-143,3	-148,9	-162,5	-199,5	-215,1	-231,0	-250,0	-272,7	-277,4	-313,8	-345,8	-345,8

TABELLE 2: FLECKSCHUSS-ENTFERNUNG 200 M / TABLE 2: ZEROING RANGE 200 M / TABLEAU 2: DISTANCE DU TIR DANS LE MILLE 200 M /
 TABEL 2: VLEKŠCHOTAFSTAND 200 M / TABELLA 2: DISTANZA DI AZZERAMENTO 200 M / TABLA 2: DISTANCIA DE TIRO IDEAL 200 M /
 TABELL 2: INNSKYTNINGSAVSTAND 200 M / TABELL 2: SIKTAVSTÅND 200 M

ENTFERNUNG (M) / TARGET RANGE / DISTANCE DE LA CIBLE / MEETPUNTAFASTAND / DISTANZA DELL'OBBIETTIVO / DISTANCIA DEL OBJETIVO / MALAVSTAND / AVSTAND	GESCHOSSABFALL / HOLDOVER CORRECTION / CHUTE DE LA BALLE / KOGELVAL / CORREZIONE BALISTICA / CORRECCIÓN DEL PUNTO DE REFERENCIA / KORREKSJON HOLDEPUNKT / KULFALL												
	EU 1	EU 2	EU 3	EU 4	EU 5	EU 6	EU 7	EU 8	EU 9	EU 10	EU 11	EU 12	
0	-5,0	-5,0	-5,0	-5,0	-5,0	-5,0	-5,0	-5,0	-5,0	-5,0	-5,0	-5,0	-5,0
25	-2,4	-2,1	-1,7	-1,3	-1,1	-0,7	-0,3	0,0	0,2	0,7	0,8	1,1	
50	-0,3	0,2	1,0	1,6	2,0	2,7	3,3	3,8	4,2	5,0	5,3	5,8	
75	1,3	2,0	2,9	3,7	4,2	5,0	5,9	6,5	7,0	8,0	8,4	9,0	
100	2,3	3,1	4,0	4,8	5,5	6,4	7,3	7,9	8,5	9,5	10,0	10,8	
125	2,8	3,5	4,4	5,1	5,8	6,7	7,4	8,1	8,6	9,5	10,2	11,0	
150	2,5	3,2	3,8	4,4	5,1	5,7	6,3	6,8	7,2	8,0	8,7	9,4	
175	1,6	2,0	2,4	2,7	3,2	3,5	3,9	4,1	4,4	4,9	5,4	5,7	
200	0,0	0,0	0,0	0,0	0,0	0,0	0,0	0,0	0,0	0,0	0,0	0,0	
225	-2,5	-2,9	-3,3	-3,9	-4,5	-4,9	-5,3	-5,6	-6,3	-6,8	-7,4	-7,9	
250	-5,8	-6,8	-7,7	-9,0	-10,3	-11,2	-12,0	-13,1	-14,6	-15,7	-17,1	-18,2	
275	-10,0	-11,8	-13,4	-15,3	-17,5	-18,9	-20,5	-22,5	-25,0	-26,6	-28,9	-30,8	
300	-15,1	-18,1	-20,2	-22,9	-26,1	-28,4	-31,0	-34,0	-37,5	-39,7	-43,1	-45,7	
325	-21,3	-25,7	-28,4	-31,9	-36,6	-40,0	-43,5	-47,6	-52,3	-55,0	-59,7	-63,6	
350	-28,7	-34,7	-37,9	-42,2	-49,2	-53,6	-58,2	-63,5	-69,4	-72,6	-78,7	-84,9	
375	-37,3	-45,0	-48,7	-54,0	-63,9	-69,3	-75,1	-81,6	-88,8	-92,5	-100,7	-109,7	
400	-47,3	-57,2	-61,0	-67,1	-80,9	-87,3	-94,2	-102,0	-110,6	-114,7	-126,2	-138,0	
425	-58,6	-71,6	-74,8	-81,9	-100,0	-107,5	-115,6	-124,7	-135,3	-139,4	-155,2	-169,8	
450	-71,3	-88,1	-90,6	-98,6	-121,5	-130,1	-139,3	-149,9	-163,5	-166,5	-187,7	-205,8	
475	-85,7	-106,9	-108,5	-117,4	-145,3	-155,0	-165,5	-178,2	-195,2	-196,6	-223,8	-246,4	
500	-102,3	-128,1	-128,6	-138,3	-172,1	-182,9	-194,9	-210,1	-230,4	-230,1	-263,7	-291,5	

**TABELLE 3: FLECKSCHUSS-ENTFERNUNG GEE (GÜNSTIGSTE EINSCHIESS-ENTFERNUNG) / TABLE: 3 ZEROING RANGE GEE (MOST FAVORABLE ZEROING RANGE) /
 TABLEAU 3: DISTANCE DU TIR DANS LE MILLE GEE (DISTANCE DE TIR LA PLUS FAVORABLE) / TABEL 3: VLEKSHOTAFSTAND GEE (OPTIMALE INSCHIETAFSTAND) /
 TABELLA 3: DISTANZA DI AZZERAMENTO GEE (DISTANZA DI TIRO PIÙ FAVOREVOLE) / TABLA 3: DISTANCIA DE TIRO IDEAL DRO (DISTANCIA DE REGLAJE ÓPTIMA) /
 TABELL 3: INNSKYTNINGSÁVSTAND GEE (GUNSTIGSTE INNSKYTNINGSÁVSTANS) / TABELL 3: SIKTAVSTÁND GEE (BÄSTA INSKJUTNINGSÁVSTÁND)**

GESCHOSSABFALL / HOLDOVER CORRECTION / CHUTE DE LA BALLE / KOGELVAL / CORREZIONE BALISTICA / CORRECCIÓN DEL PUNTO DE REFERENCIA / KORREKSJON HOLDEPUNKT / KULFALL													
	EU 1	EU 2	EU 3	EU 4	EU 5	EU 6	EU 7	EU 8	EU 9	EU 10	EU 11	EU 12	
GEE	222	208	195	185	179	170	163	157	154	148	147	144	
0	-5,0	-5,0	-5,0	-5,0	-5,0	-5,0	-5,0	-5,0	-5,0	-5,0	-5,0	-5,0	
25	-2,1	-2,0	-1,7	-1,5	-1,5	-1,3	-1,1	-1,0	-0,9	-0,7	-0,7	-0,7	
50	0,2	0,4	0,8	1,2	1,3	1,5	1,7	1,9	2,0	2,3	2,3	2,3	
75	2,0	2,3	2,7	3,0	3,1	3,2	3,5	3,6	3,7	3,8	3,8	3,9	
100	3,3	3,5	3,8	3,9	4,0	4,0	4,1	4,0	4,0	3,9	3,9	3,9	
125	4,0	4,0	4,0	3,9	3,9	3,7	3,4	3,1	3,0	2,6	2,6	2,4	
150	4,0	3,8	3,4	3,0	2,8	2,1	1,5	0,9	0,5	-0,3	-0,5	-1,0	
175	3,3	2,7	1,9	1,1	0,5	-0,7	-1,7	-2,8	-3,4	-4,8	-5,4	-6,4	
200	1,9	0,8	-0,6	-1,9	-3,1	-4,8	-6,4	-7,9	-8,9	-11,1	-12,2	-13,8	
225	-0,3	-2,0	-4,0	-6,0	-7,9	-10,3	-12,5	-14,5	-16,3	-19,3	-21,2	-23,5	
250	-3,4	-5,8	-8,5	-11,4	-14,1	-17,2	-20,0	-22,9	-25,7	-29,6	-32,4	-35,5	
275	-7,4	-10,7	-14,1	-17,9	-21,7	-25,5	-29,3	-33,4	-37,2	-41,9	-45,8	-49,8	
300	-12,3	-16,9	-21,1	-25,8	-30,7	-35,6	-40,6	-45,9	-50,9	-56,4	-61,5	-66,5	
325	-18,2	-24,4	-29,3	-35,0	-41,6	-47,7	-53,9	-60,5	-66,8	-73,0	-79,6	-86,1	
350	-25,3	-33,3	-38,9	-45,6	-54,6	-61,9	-69,4	-77,3	-85,0	-92,0	-100,1	-109,1	
375	-33,7	-43,5	-49,8	-57,6	-69,7	-78,3	-87,0	-96,4	-105,5	-113,3	-123,7	-135,6	
400	-43,5	-55,6	-62,1	-70,9	-87,0	-96,9	-106,9	-117,8	-128,4	-136,9	-150,7	-165,6	
425	-54,5	-69,9	-76,0	-85,9	-106,5	-117,7	-129,2	-141,5	-154,2	-162,9	-181,2	-199,2	
450	-67,0	-86,3	-91,9	-102,9	-128,4	-140,9	-153,7	-167,7	-183,5	-191,5	-215,3	-237,0	
475	-81,2	-105,0	-109,9	-121,9	-152,6	-166,4	-180,7	-197,0	-216,3	-222,9	-252,9	-279,3	
500	-97,5	-126,0	-130,0	-143,1	-179,8	-194,8	-210,8	-229,8	-252,7	-257,8	-294,3	-326,1	
GEE[M]	222	208	195	185	179	170	163	157	154	148	147	144	

TABELLE 4: FLECKSCHUSS-ENTFERNUNG 100 Y / TABLE 4: ZEROING RANGE 100 YDS / TABLEAU 4: DISTANCE DU TIR DANS LE MILLE 100 Y /
 TABEL 4: VLEKŠCHOTAFSTAND 100 Y / TABELLA: 4 DISTANZA DI AZZERAMENTO 100 Y / TABLA 4: DISTANCIA DE TIRO IDEAL 100 Y /
 TABELL 4: INNSKYTNINGSAVSTAND 100 Y / TABELL 4: SIKTAVSTÅND 100 Y

ENTFERNUNG (Y) / TARGET RANGE / DISTANCE DE LA CIBLE / MEETPUNTAFASTAND / DISTANZA DELL'OBBIETTIVO / DISTANCIA DEL OBJETIVO / MALAVSTAND / AVSTÅND	GESCHOSSABFALL / HOLDOVER CORRECTION / CHUTE DE LA BALLE / KOGELVAL / CORREZIONE BALISTICA / CORRECCIÓN DEL PUNTO DE REFERENCIA / KORREKSJON HOLDEPUNKT / KULFALL												
	US 1	US 2	US 3	US 4	US 5	US 6	US 7	US 8	US 9	US 10	US 11	US 12	
0	-2,0	-2,0	-2,0	-2,0	-2,0	-2,0	-2,0	-2,0	-2,0	-2,0	-2,0	-2,0	-2,0
25	-1,2	-1,2	-1,1	-1,1	-1,1	-1,0	-1,0	-0,9	-0,9	-0,8	-0,8	-0,8	-0,8
50	-0,6	-0,6	-0,5	-0,4	-0,4	-0,4	-0,3	-0,2	-0,2	-0,1	-0,1	-0,1	-0,1
75	-0,2	-0,2	-0,1	-0,1	-0,1	0,0	0,0	0,1	0,1	0,2	0,2	0,2	0,2
100	0,0	0,0	0,0	0,0	0,0	0,0	0,0	0,0	0,0	0,0	0,0	0,0	0,0
125	0,0	0,0	-0,1	-0,2	-0,3	-0,3	-0,4	-0,5	-0,6	-0,7	-0,7	-0,7	-0,7
150	-0,1	-0,3	-0,6	-0,8	-0,8	-1,1	-1,3	-1,5	-1,6	-1,9	-1,9	-2,0	-2,0
175	-0,5	-0,8	-1,3	-1,6	-1,8	-2,2	-2,6	-2,9	-3,1	-3,5	-3,7	-3,9	-3,9
200	-1,1	-1,6	-2,3	-2,8	-3,2	-3,8	-4,3	-4,8	-5,1	-5,8	-6,1	-6,5	-6,5
225	-2,0	-2,7	-3,6	-4,3	-4,9	-5,8	-6,6	-7,2	-7,7	-8,6	-9,1	-9,8	-9,8
250	-3,2	-4,1	-5,2	-6,3	-7,1	-8,2	-9,2	-10,1	-10,9	-12,1	-12,9	-13,9	-13,9
275	-4,6	-5,8	-7,2	-8,6	-9,8	-11,2	-12,4	-13,6	-14,8	-16,3	-17,4	-18,7	-18,7
300	-6,3	-7,9	-9,6	-11,3	-12,9	-14,5	-16,1	-17,7	-19,3	-21,1	-22,7	-24,2	-24,2
325	-8,4	-10,4	-12,4	-14,5	-16,5	-18,5	-20,5	-22,6	-24,6	-26,7	-28,7	-30,6	-30,6
350	-10,7	-13,3	-15,7	-18,1	-20,7	-23,1	-25,6	-28,1	-30,6	-33,0	-35,4	-37,9	-37,9
375	-13,5	-16,7	-19,3	-22,1	-25,5	-28,5	-31,4	-34,4	-37,3	-40,0	-43,0	-46,2	-46,2
400	-16,6	-20,5	-23,4	-26,7	-31,1	-34,5	-37,9	-41,4	-44,8	-47,8	-51,5	-55,8	-55,8
425	-20,2	-24,9	-28,0	-31,6	-37,3	-41,2	-45,1	-49,1	-53,1	-56,3	-61,1	-66,5	-66,5
450	-24,3	-29,9	-33,0	-37,1	-44,3	-48,7	-53,1	-57,6	-62,3	-65,7	-71,9	-78,3	-78,3
475	-28,7	-35,7	-38,7	-43,1	-52,1	-56,9	-61,8	-66,9	-72,5	-75,8	-83,8	-91,3	-91,3
500	-33,7	-42,2	-45,0	-49,8	-60,6	-65,9	-71,3	-77,1	-83,8	-86,8	-96,9	-105,9	-105,9

TABELLE 5: FLECKSCHUSS-ENTFERNUNG 200 Y / TABLE 5: ZEROING RANGE 200 YDS / TABLEAU 5: DISTANCE DU TIR DANS LE MILLE 200 Y /
 TABEL 5: VLEKSHOTAFSTAND 200 Y / TABELLA: 5 DISTANZA DI AZZERAMENTO 200 Y / TABLA 5: DISTANCIA DE TIRO IDEAL 200 Y /
 TABELL 5: INNSKYTNINGSAVSTAND 200 Y / TABELL 5: SIKTAVSTÅND 200 Y

	GESCHOSSABFALL / HOLDOVER CORRECTION / CHUTE DE LA BALLE / KOGELVAL / CORREZIONE BALISTICA / CORRECCIÓN DEL PUNTO DE REFERENCIA / KORREKSJON HOLDEPUNKT / KULFALL											
	US 1	US 2	US 3	US 4	US 5	US 6	US 7	US 8	US 9	US 10	US 11	US 12
0	-2,0	-2,0	-2,0	-2,0	-2,0	-2,0	-2,0	-2,0	-2,0	-2,0	-2,0	-2,0
25	-1,1	-1,0	-0,8	-0,7	-0,7	-0,5	-0,4	-0,3	-0,2	-0,1	0,0	0,0
50	-0,4	-0,2	0,1	0,3	0,4	0,6	0,8	1,0	1,1	1,4	1,4	1,6
75	0,2	0,4	0,7	1,0	1,1	1,4	1,7	1,9	2,1	2,4	2,5	2,7
100	0,6	0,8	1,1	1,4	1,6	1,9	2,2	2,4	2,6	2,9	3,0	3,3
125	0,8	1,0	1,3	1,5	1,7	2,0	2,3	2,5	2,6	2,9	3,1	3,4
150	0,7	0,9	1,1	1,3	1,5	1,8	2,0	2,1	2,2	2,5	2,7	2,9
175	0,5	0,6	0,7	0,8	1,0	1,1	1,2	1,3	1,4	1,5	1,7	1,8
200	0,0	0,0	0,0	0,0	0,0	0,0	0,0	0,0	0,0	0,0	0,0	0,0
225	-0,7	-0,9	-1,0	-1,2	-1,4	-1,5	-1,7	-1,8	-1,9	-2,1	-2,3	-2,5
250	-1,7	-2,1	-2,4	-2,8	-3,2	-3,5	-3,8	-4,1	-4,5	-4,9	-5,3	-5,7
275	-3,0	-3,6	-4,1	-4,7	-5,4	-6,0	-6,4	-7,0	-7,7	-8,3	-9,1	-9,7
300	-4,6	-5,5	-6,2	-7,1	-8,2	-8,9	-9,6	-10,5	-11,6	-12,5	-13,6	-14,4
325	-6,5	-7,8	-8,7	-9,9	-11,3	-12,4	-13,5	-14,7	-16,2	-17,3	-18,8	-20,0
350	-8,7	-10,5	-11,7	-13,2	-15,1	-16,5	-18,0	-19,7	-21,6	-22,9	-24,8	-26,4
375	-11,3	-13,7	-15,1	-16,9	-19,6	-21,4	-23,2	-25,3	-27,7	-29,2	-31,6	-34,0
400	-14,3	-17,3	-18,9	-21,0	-24,7	-26,9	-29,2	-31,7	-34,6	-36,2	-39,4	-42,7
425	-17,8	-21,5	-23,2	-25,7	-30,6	-33,2	-35,9	-38,9	-42,2	-44,1	-48,2	-52,6
450	-21,7	-26,3	-27,9	-30,8	-37,2	-40,2	-43,3	-46,8	-50,7	-52,7	-58,2	-63,6
475	-26,0	-31,9	-33,3	-36,5	-44,6	-47,9	-51,5	-55,5	-60,3	-62,1	-69,4	-75,8
500	-30,8	-38,2	-39,3	-42,8	-52,7	-56,5	-60,5	-65,0	-71,0	-72,4	-81,7	-89,5

TABELLE 6: FLECKSCHUSS-ENTFERNUNG 300 Y / TABLE 6: ZEROING RANGE 300 YDS / TABLEAU 6: DISTANCE DU TIR DANS LE MILLE 300 Y /
 TABEL 6: VLEKŠCHOTAFSTAND 300 Y / TABELLA: 6 DISTANZA DI AZZERAMENTO 300 Y / TABLA 6: DISTANCIA DE TIRO IDEAL 300 Y /
 TABELL 6: INNSKYTNINGSAVSTAND 300 Y / TABELL 6: SIKTAVSTÅND 300 Y

	GESCHOSSABFALL / HOLDOVER CORRECTION / CHUTE DE LA BALLE / KOGELVAL / CORREZIONE BALISTICA / CORRECCIÓN DEL PUNTO DE REFERENCIA / KORREKSJON HOLDEPUNKT / KULFALL											
	US 1	US 2	US 3	US 4	US 5	US 6	US 7	US 8	US 9	US 10	US 11	US 12
0	-2,0	-2,0	-2,0	-2,0	-2,0	-2,0	-2,0	-2,0	-2,0	-2,0	-2,0	-2,0
25	-0,7	-0,5	-0,3	-0,1	0,0	0,2	0,4	0,6	0,7	1,0	1,1	1,2
50	0,4	0,7	1,1	1,5	1,7	2,1	2,4	2,7	3,1	3,4	3,7	4,0
75	1,4	1,8	2,3	2,8	3,2	3,6	4,1	4,5	5,0	5,5	5,9	6,3
100	2,1	2,6	3,2	3,8	4,3	4,8	5,4	5,9	6,4	7,0	7,6	8,1
125	2,7	3,3	3,9	4,5	5,1	5,7	6,3	6,9	7,5	8,1	8,7	9,4
150	3,0	3,7	4,3	4,9	5,6	6,2	6,8	7,4	8,0	8,7	9,5	10,1
175	3,2	3,8	4,3	5,0	5,7	6,3	6,8	7,4	8,1	8,8	9,6	10,2
200	3,1	3,7	4,1	4,7	5,4	5,9	6,4	7,0	7,7	8,3	9,0	9,6
225	2,7	3,2	3,6	4,2	4,7	5,1	5,6	6,1	6,8	7,2	7,8	8,3
250	2,1	2,5	2,8	3,2	3,6	3,9	4,2	4,7	5,2	5,5	6,0	6,3
275	1,2	1,4	1,6	1,8	2,0	2,2	2,4	2,7	2,9	3,1	3,3	3,5
300	0,0	0,0	0,0	0,0	0,0	0,0	0,0	0,0	0,0	0,0	0,0	0,0
325	-1,5	-1,9	-2,0	-2,2	-2,5	-2,8	-3,1	-3,4	-3,7	-3,8	-4,1	-4,3
350	-3,3	-4,1	-4,4	-4,9	-5,6	-6,2	-6,8	-7,4	-8,0	-8,3	-9,0	-9,6
375	-5,5	-6,9	-7,3	-8,0	-9,4	-10,3	-11,2	-12,2	-13,2	-13,6	-14,7	-15,9
400	-8,2	-10,0	-10,6	-11,6	-13,9	-15,1	-16,4	-17,7	-19,1	-19,6	-21,3	-23,5
425	-11,3	-13,7	-14,4	-15,6	-19,1	-20,6	-22,2	-24,0	-25,8	-26,4	-29,0	-32,1
450	-14,8	-18,1	-18,6	-20,1	-25,0	-26,9	-28,9	-31,0	-33,3	-34,0	-37,9	-42,0
475	-18,7	-23,2	-23,4	-25,2	-31,7	-33,9	-36,3	-38,8	-41,9	-42,3	-47,9	-53,0
500	-23,1	-29,1	-29,0	-31,0	-39,1	-41,7	-44,4	-47,5	-51,6	-51,6	-59,1	-65,5